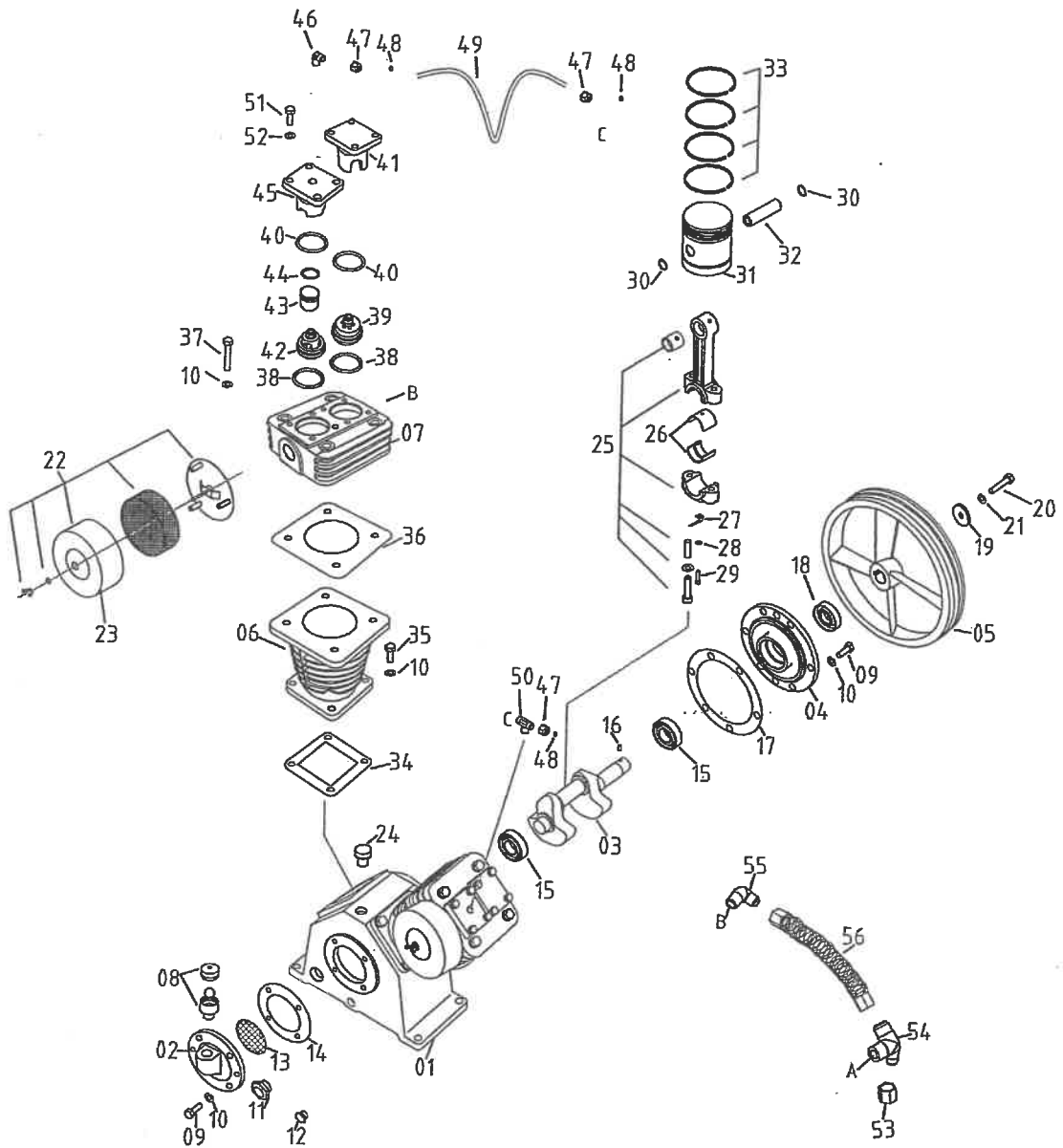


VA80 SINGLE STAGE PUMP



VA80 PUMP BREAK DOWN

| ITEM | PART # | DESCRIPTION | QTY. |
|------|-----------|------------------------------------|-------|
| 1 | 221001 | CRANKCASE | 1 |
| 2 | 221002 | REAR BEARING CARRIER | 1 |
| 3 | 221003 | CRANKSHAFT | 1 |
| 4 | 221004 | FRONT BEARING CARRIER | 1 |
| 5 | 221005 | FLYWHEEL 12.40" | 1 |
| 6 | 221006 | CYLINDER | 2 |
| 7 | 221008 | HEAD | 2 |
| 8 | 221101 | BREATHER-CRANKCASE | 1 |
| 9 | 221102 | CAPSCREW-HEX M10X30 | 10 |
| 10 | 221103 | LOCKWASHER | 26 |
| 11 | 221104 | OIL SIGHT GLASS | 1 |
| 12 | 221105 | OIL DRAIN PLUG | 1 |
| 13 | 221106 | OIL BAFFLE PLATE | 1 |
| 14 | 221107 | GASKET-REAR BEARING CARRIER | 1(*a) |
| 15 | 221108 | MAIN BEARING | 2 |
| 16 | 221109 | KEY SHAFT TO FLYWHEEL | 1 |
| 17 | 221110 | GASKET-FRONT CAP BEARING CARRIER | 1(*a) |
| 18 | 221111 | SHAFT -SEAL | 1 |
| 19 | 221112 | FLYWHEEL RETAINER WASHER | 1 |
| 20 | 221113 | CAPSCREW-HEX M12X40 | 1 |
| 21 | 221114 | LOCKWASHER | 1 |
| 22 | 5-16D-100 | FILTER-INLET ASSEMBLY | 2 |
| 23 | 16D | FILTER-REPLACEMENT ELEMENT | 2 |
| 24 | 221117 | OIL-PLUG | 1 |
| 25 | 221118 | CONNECTING ROD W/WRIST PIN BEARING | 2 |
| 26 | 221119 | ROD INSERT BEARINGS | 2 |
| 27 | 221120 | OIL DIPPER | 2 |
| 28 | 221121 | LOCKWASHER | 2 |
| 29 | 221122 | SCREW M5X12 | 2 |
| 30 | 221123 | SNAP RING INTERNAL | 4 |
| 31 | 221124 | PISTON 3.15" | 2 |
| 32 | 221125 | WRIST PIN PISTON | 2 |
| 33 | 221126 | PISTON RING SET each PISTON | 2 |
| 34 | 221127 | GASKET-CYLINDER TO CRANKCASE | 2(*a) |
| 35 | 221128 | CAPSCREW-HEX M10X30 | 8 |
| 36 | 221129 | GASKET-CYLINDER HEAD | 2(*a) |
| 37 | 221130 | CAPSCREW-HEX M10X75 | 8 |
| 38 | 221131 | GASKET VALVE SEAT COPPER | 4 |
| 39 | 221132 | DISCH VALVE | 2 |
| 40 | 221133 | O-RING HOLD DOWN COVER | 4 |
| 41 | 221134 | VALVE HOLD-DOWN COVER-DISCH | 2 |
| 42 | 221135 | INLET VALVE | 2 |
| 43 | 221136 | HEAD UNLOADER PISTON | 2 |
| 44 | 221137 | O-RING -UNLOADER PISTON | 2 |
| 45 | 221138 | VALVE HOLD DOWN COVER-INLET | 2 |
| 46 | 221139 | COPPER ELBOW | 1 |
| 47 | 221140 | COPPER NUT | 3 |
| 48 | 221141 | COMPRESSION SLEEVE | 3 |
| 49 | 221142 | HEAD UNLOADER TUBE | 1 |
| 50 | 221143 | TEE-MALE TUBE | 1 |
| 51 | 221144 | CAPSCREW-HEX M8X25 | 16 |
| 52 | 221145 | LOCKWASHER | 16 |
| 53 | 221146 | COMPRESSION-NUT | 1 |
| 54 | 221147 | TEE | 1 |
| 55 | 221148 | ELBOW | 1 |
| 56 | 221149 | INTERCOOLER TUBE | 1 |
| *a | 220000 | GASKET SET COMPLETE | 1 |