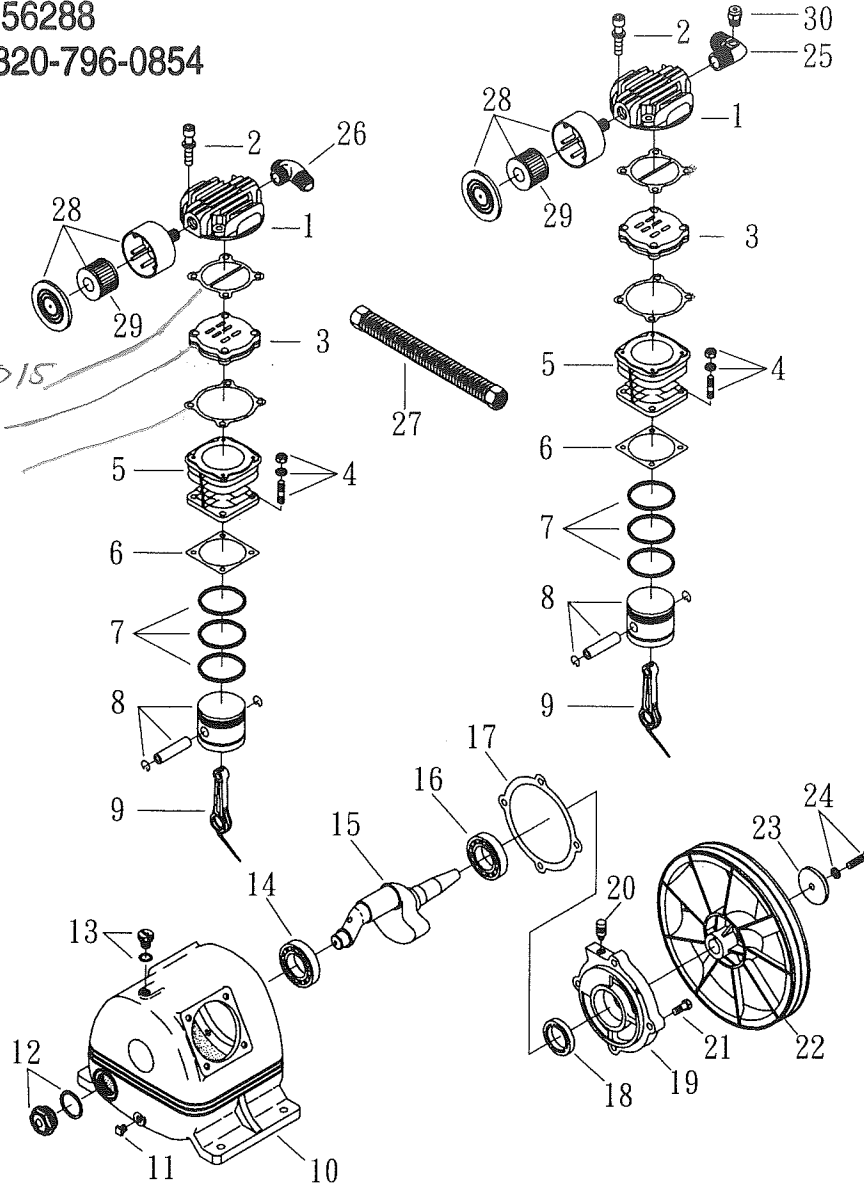


PK60

CASTAIR INC.  
8894 47TH ST. NE  
SPICER MN 56288  
320-796-0851 FAX 320-796-0854

2601-015  
2602-005  
2603-010



SPARE PARTS LIST

NO : MBA-0909

REF. NO.	DESCRIPTION	PART NO.	QTY.	REF. NO.	DESCRIPTION	PART NO.	QTY.
1	Cylinder head	3101045	2	16	Bearing	2N35-6205Z	1
2	Allen bolt set	3B01-M06*040V	8	17	Rear bearing seat gasket	2G06-008	1
3	In. & Ex. valve assembly	3B13-AC07	2	18	Oil seal	2N50-TC24*47*07	1
4	Double head screw set (GSKT)	3B11-001-A	8	19	Rear bearing seat	3311015	1
5	Cylinder	3201035	2	20	Breathing cover	2321002	1
6	Cylinder gasket	2G04-003	2	21	Hexagon bolt	2B00-SM08*020	4
7	Piston ring set	3B32-65N	2	22	Pulley	3PBF-105A124	1
8	Piston set	3B31-65N	2	23	Plate washer	2B30-08*35*35	1
9	Rod set	3B33-H20601	2	24	Hexagon bolt set	3B00-SM08*035AV	1
10	Crankcase	3301015	1	25	Exhaust elbow	2N06-04T04H02T	1
11	Oil draining plug	2N33-001	1	26	Exhaust three way pipe	2N09-04H04T04H1	1
12	Oil sight gauge set	2303014A	1	27	Exhaust tube set	3B2-04*240	1
13	Oil filling plug set	2319003A	1	28	Air filter set	2140020A	2
14	Bearing	2N35-6204	1	29	Filter element	2142013	2
15	Crankshaft & balancer	3304038	1	30	Auto relief valve	2409012	1